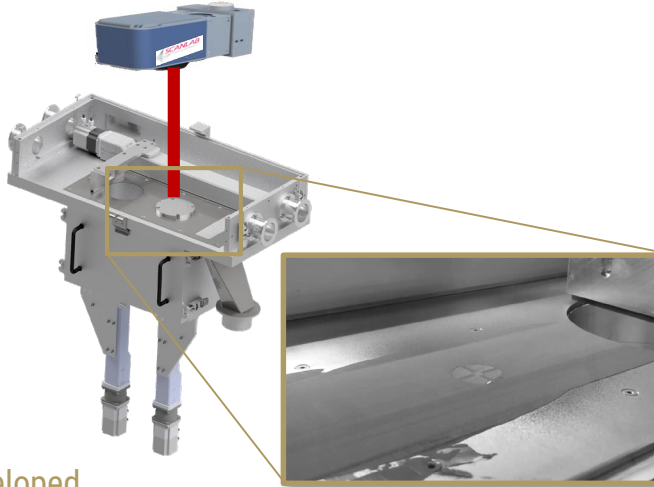


# Research on 3D Printing

## Ultrafast Optics – Prof. Stefan Nolte

### Topic:

**Powder Bed Fusion Laser Melting (PBF-LB)** is a 3D printing process where components are created layer by layer from powder materials through selective laser melting.



### Research Focus:

- Expanding the material range on our **self-developed** PBF-L setup
- Focus on materials with extreme properties (e.g. melting point, thermal conductivity, stiffness)
- Use of ultrashort pulse lasers to explore new parameter spaces for processing challenging materials

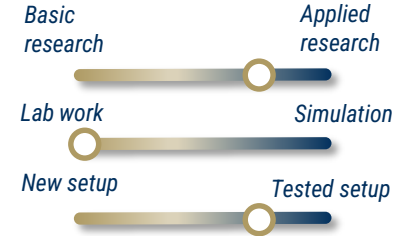


Copper



Aluminium alloys

### Scientific Profile



**Language** German & English

**Contact** [hagen.kohl@uni-jena.de](mailto:hagen.kohl@uni-jena.de)